

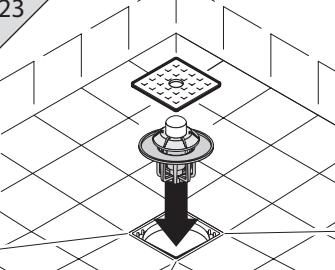
18



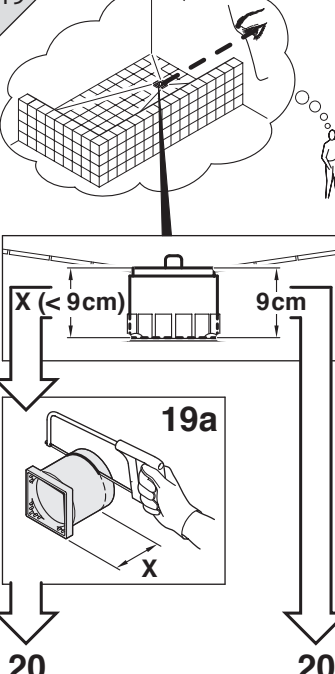
STOP

24h

23



19



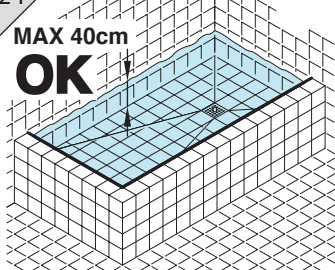
$X (< 9\text{cm})$ 9cm

19a

X

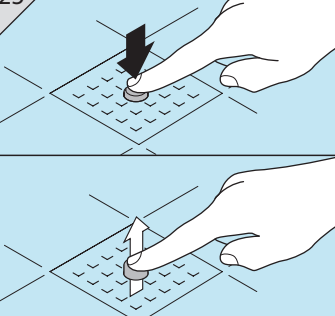
20 20

24


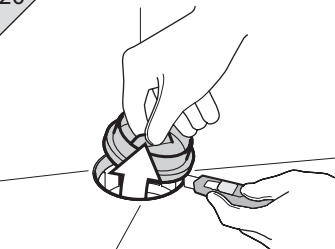


MAX 40cm
OK

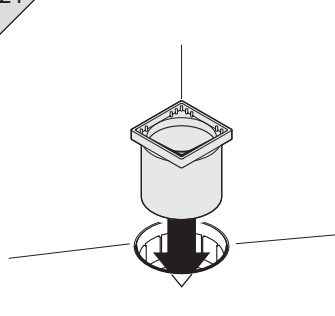
25



20



21



22

