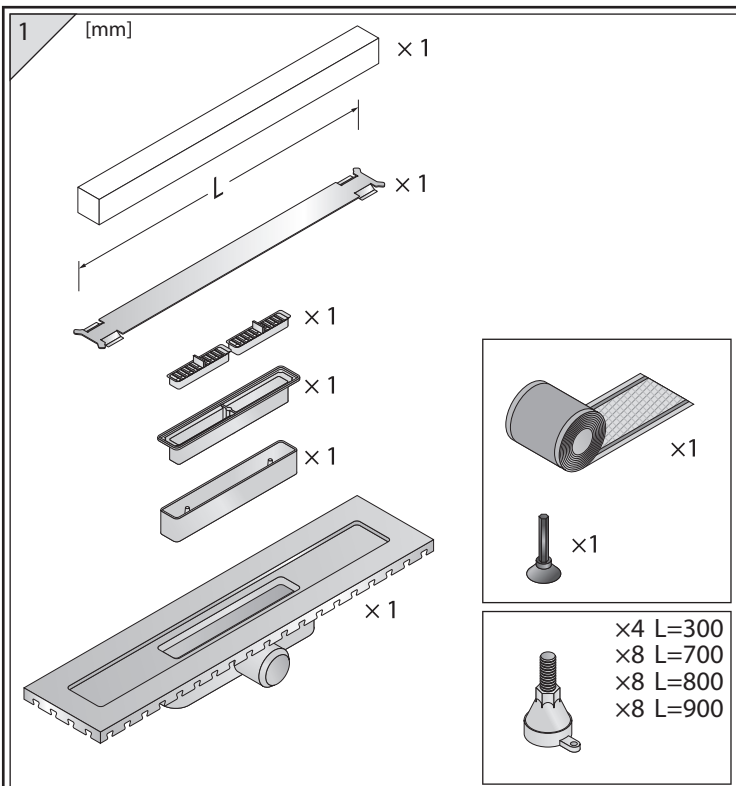


1 [mm]



× 1

× 1

× 1

× 1

× 1

× 1

× 1

× 1

× 1

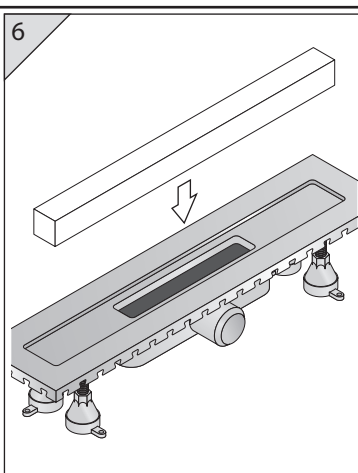
× 1

× 1

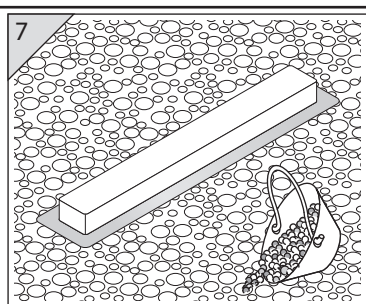
× 1

× 4 L=300
× 8 L=700
× 8 L=800
× 8 L=900

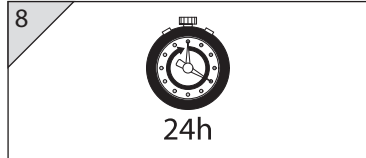
6



7

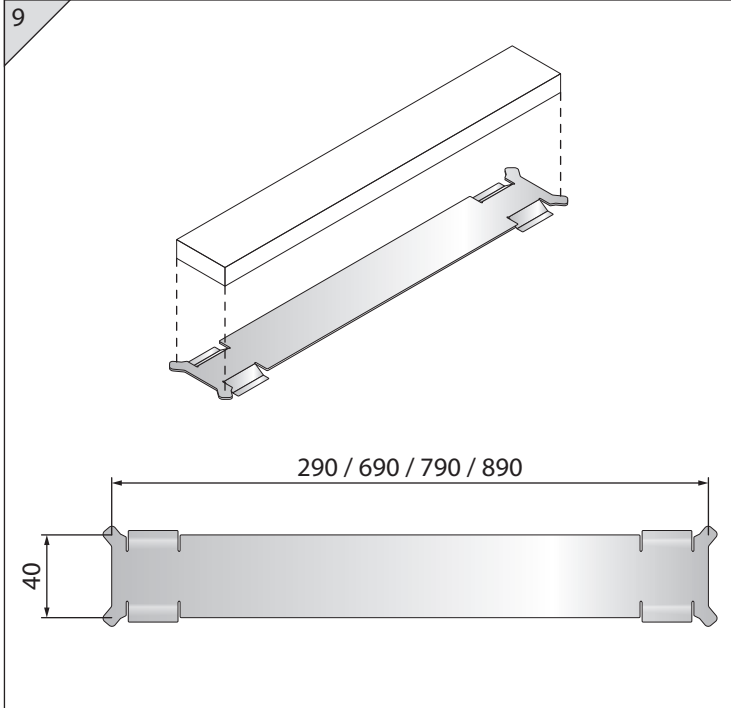


8



24h

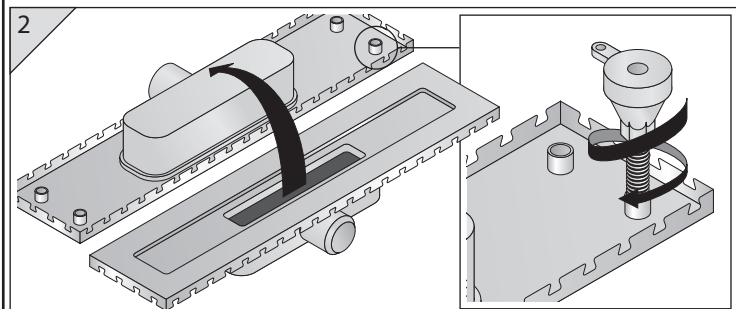
9



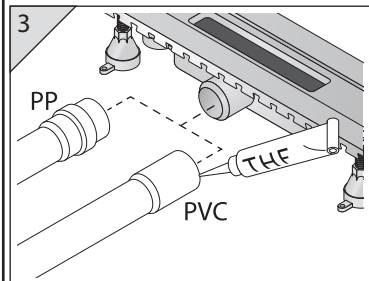
290 / 690 / 790 / 890

40

2



3

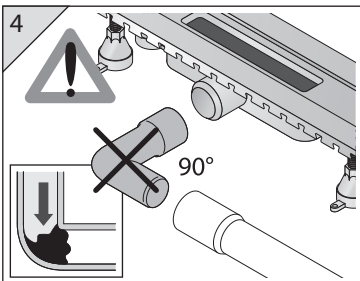


PP

PVC

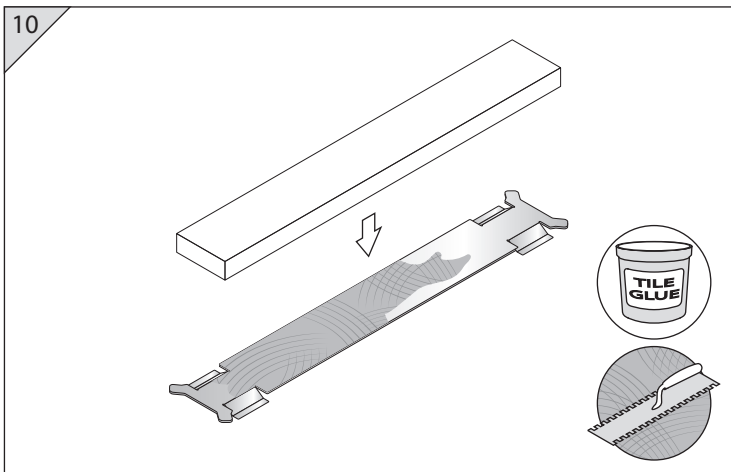
THF

4



90°

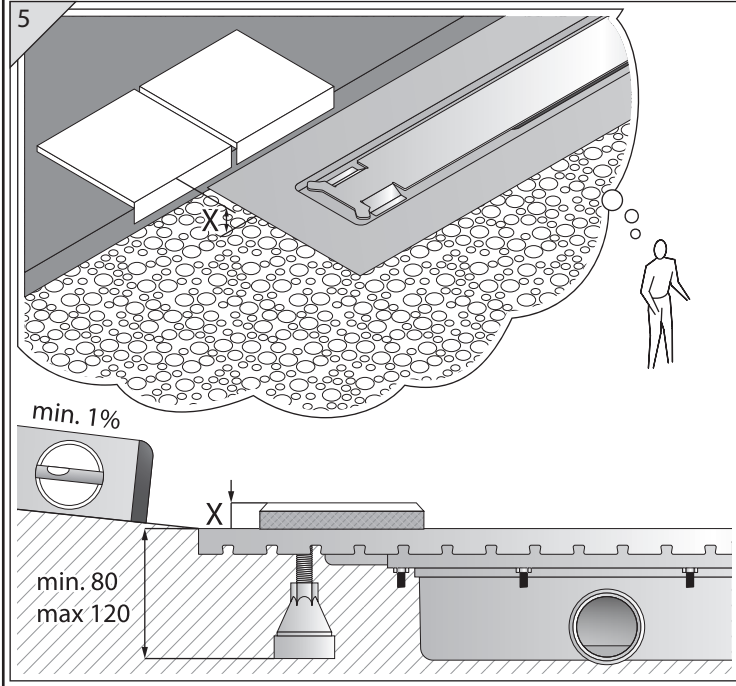
10



TILE GLUE

WATERPROOFING

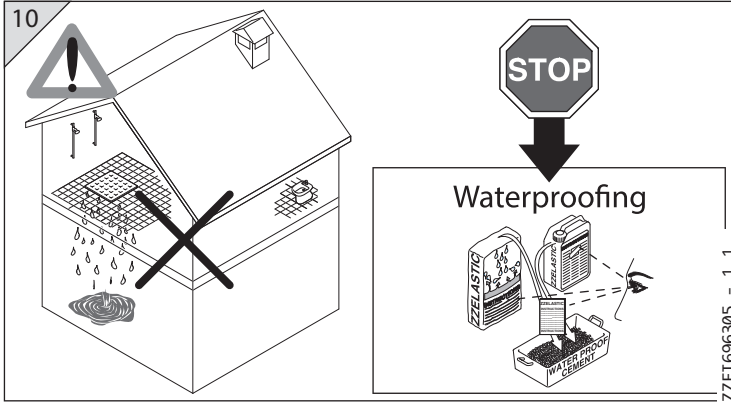
5



min. 1%

min. 80
max 120

10



STOP

Waterproofing

EPELASTIC

WATER PROOF CEMENT

